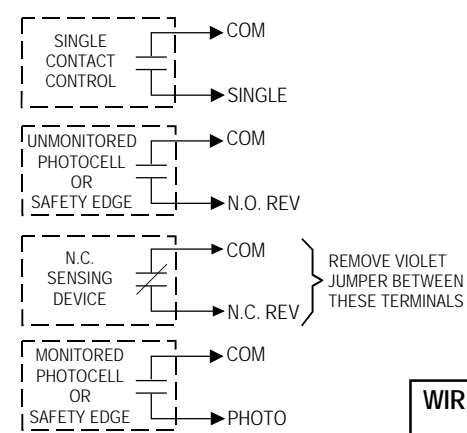


SETTING OPERATOR MODE SWITCHES

- NOTES:**
 1 - A MONITORED SAFETY SYSTEM MUST BE INSTALLED IN ORDER TO SET MOMENTARY PRESSURE OPERATION.
 2 - FACTORY SETTING IS C2 (CONSTANT PRESSURE CLOSE)

OPERATING MODE	SWITCH 1	SWITCH 2	SWITCH 3	SWITCH 4
C2 OPERATION	OFF	OFF	OFF	OFF
B2 OPERATION	ON	OFF	OFF	OFF
D1 OPERATION	OFF	ON	OFF	OFF
E2 OPERATION	ON	ON	OFF	OFF
TS OPERATION	OFF	OFF	ON	OFF
T OPERATION	ON	OFF	ON	OFF

- C2 - CONSTANT PRESSURE CLOSE
 B2 - MOMENTARY PRESSURE, OPEN / CLOSE
 D1 - CONSTANT PRESSURE, OPEN / CLOSE
 E2 - CONSTANT PRESSURE CLOSE, W / ROLL BACK
 TS - TIMER TO CLOSE
 T - STOP OR SAFETY DEACTIVATES TIMER



WIRED FOR V, 1Ø

PowerMaster
 FOR USE WITH: DOOR OPERATORS EQUIPPED WITH A 230405 CIRCUIT BOARD, CONTACTOR AND CAP START MOTOR.
 DATE: 1-20-11 REV. 6
 BY: F.S.
 CONTROL WIRING DIAGRAM **#6501-R**
 © Copyright PowerMaster 2006
 No portion of this diagram may be reproduced without the expressed written permission of the manufacturer.

NOTE: REMOVE JUMPER FROM COM TO STOP TERMINALS IF STOP BUTTON IS USED.