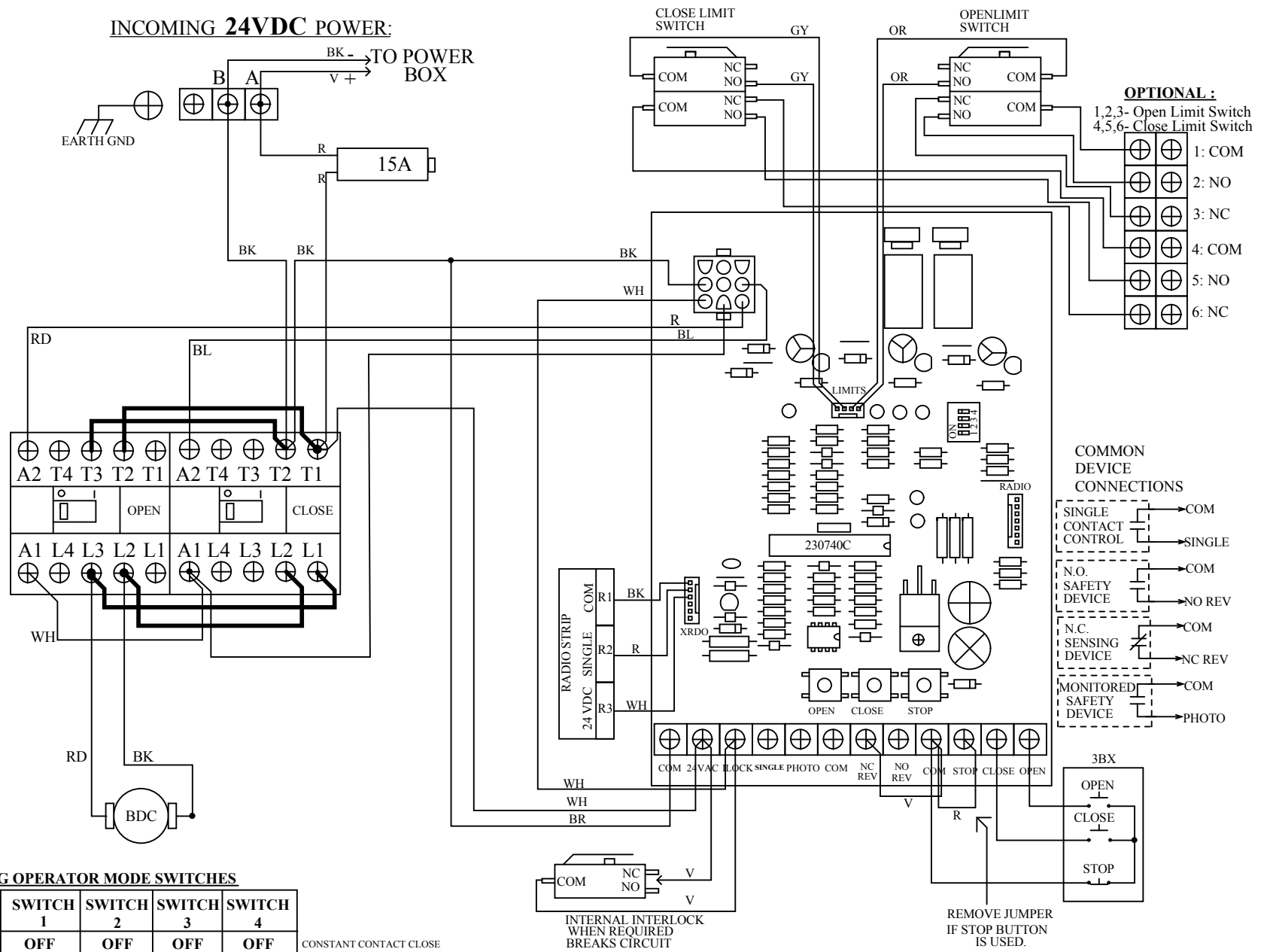
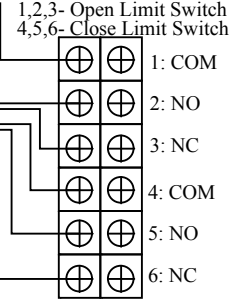


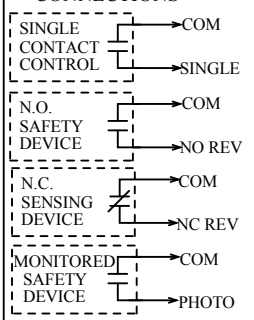
**INCOMING 24VDC POWER:**



**OPTIONAL:**



**COMMON DEVICE CONNECTIONS**



**SETTING OPERATOR MODE SWITCHES**

OPERATING MODE	SWITCH 1	SWITCH 2	SWITCH 3	SWITCH 4	
C2	OFF	OFF	OFF	OFF	CONSTANT CONTACT CLOSE
B2	ON	OFF	OFF	OFF	MOMENTARY PRESSURE, CLOSE/OPEN
D1	OFF	ON	OFF	OFF	CONSTANT PRESSURE, OPEN/CLOSE
E2	ON	ON	OFF	OFF	CONSTANT PRESSURE CLOSE, W/ ROLL BACK
TS	OFF	OFF	ON	OFF	TIMER TO CLOSE
T	ON	OFF	ON	OFF	STOP OR SAFETY DEACTIVATES TIMER

**NOTE:** MONITORED SAFETY DEVICE REQUIRED FOR MOMENTARY PRESSURE TO CLOSE

Note: For 24VDC Motor

Title: <b>7105</b>		V.E. Power Door 140 Enjay Blvd. Brentwood NY, 11706 
Revision: 1	Voltage: 24VDC	
Drawn by: ML	Date: 6/22/2017	
© Copyright PowerMaster 2017 No portion of this diagram may be reproduced without written permission of the manufacturer.		

