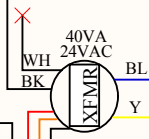
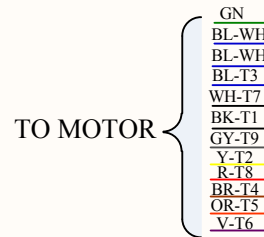
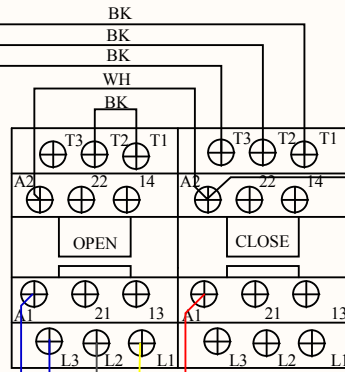
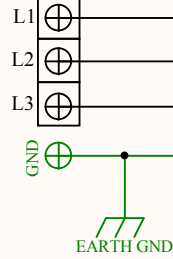
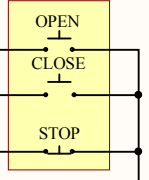
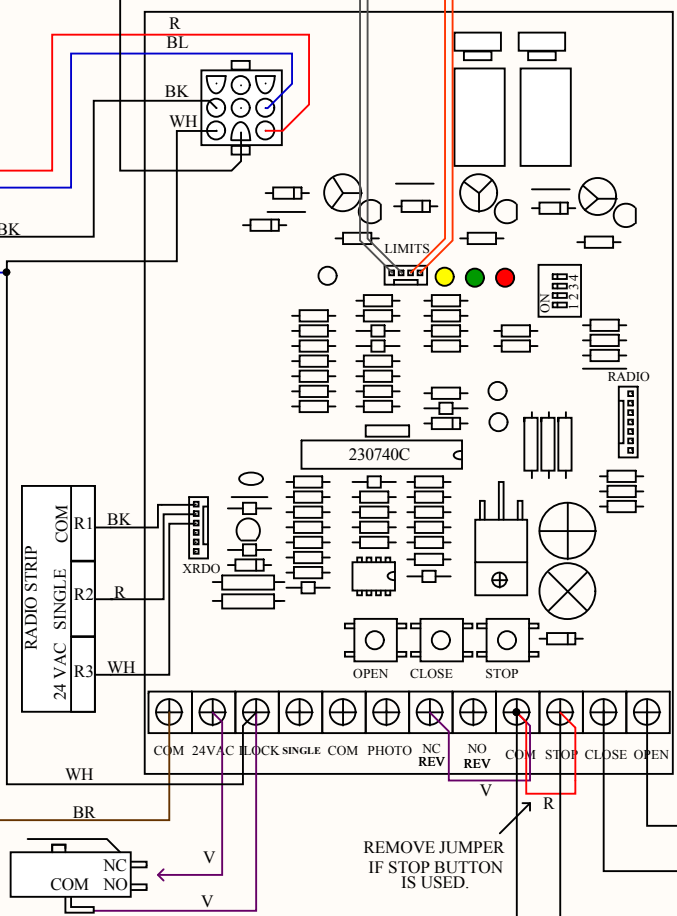
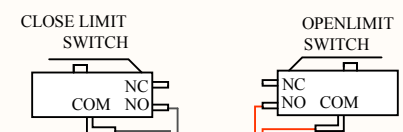
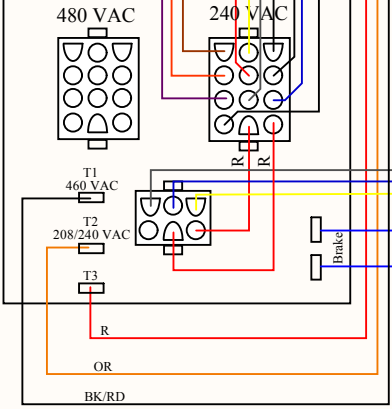


INCOMING POWER



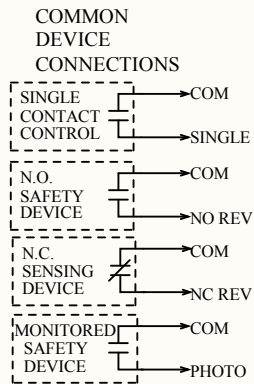
NOTE:
FOR 460 VAC
MOVE 12 PLUG PIN
CONNECTOR

NOTE: T2 SHOULD BE:
-RED ON 208 VAC
-ORANGE ON 240 VAC
SWAP T2 & T3
IF NECESSARY



SETTING OPERATOR MODE SWITCHES

| OPERATING MODE | SWITCH 1 | SWITCH 2 | SWITCH 3 | SWITCH 4 | |
|----------------|----------|----------|----------|----------|---------------------------------------|
| C2 | OFF | OFF | OFF | OFF | CONSTANT CONTACT CLOSE |
| B2 | ON | OFF | OFF | OFF | MOMENTARY PRESSURE, CLOSE/OPEN |
| D1 | OFF | ON | OFF | OFF | CONSTANT PRESSURE, OPEN/CLOSE |
| E2 | ON | ON | OFF | OFF | CONSTANT PRESSURE CLOSE, W/ ROLL BACK |
| TS | OFF | OFF | ON | OFF | TIMER TO CLOSE |
| T | ON | OFF | ON | OFF | STOP OR SAFETY DEACTIVATES TIMER |



INTERNAL INTERLOCK WHEN REQUIRED BREAKS CIRCUIT

REMOVE JUMPER IF STOP BUTTON IS USED.

NOTE: MONITORED SAFETY DEVICE REQUIRED FOR MOMENTARY PRESSURE TO CLOSE

| | | |
|---------------------------------|--|--|
| Title: 7503 | | |
| Revision: 1 Voltage: 240/480 3Ø | | |
| Drawn by: ML Date: 5/15/2017 | | |
| Date: 5/15/2017 USA | | |

V.E. Power Door
140 Enjay Blvd.
Brentwood
NY, 11706

© Copyright PowerMaster 2017 No portion of this diagram may be reproduced without written permission of the manufacturer.