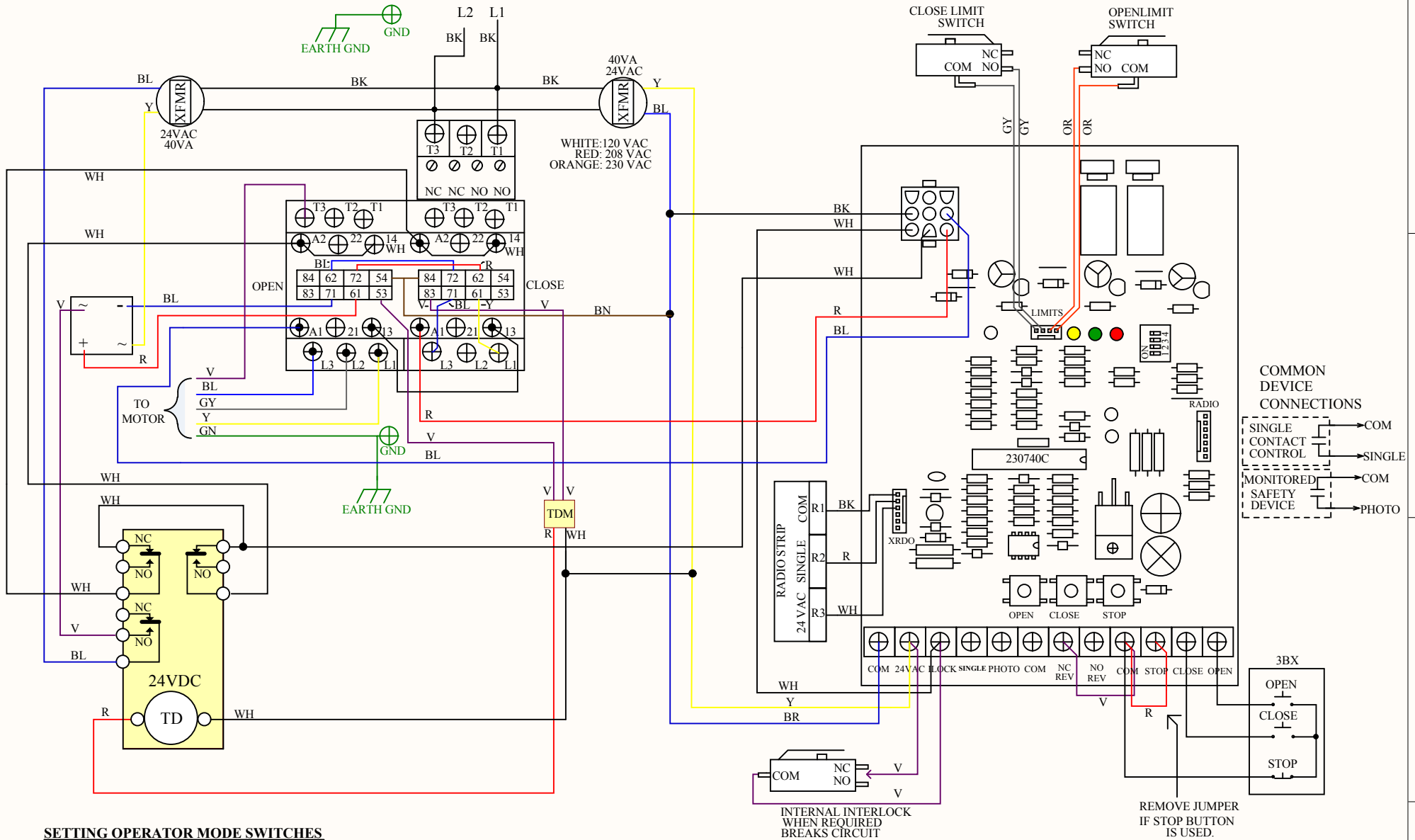


### INCOMING POWER



#### SETTING OPERATOR MODE SWITCHES

OPERATING MODE	SWITCH 1	SWITCH 2	SWITCH 3	SWITCH 4	
C2	OFF	OFF	OFF	OFF	CONSTANT CONTACT CLOSE
B2	ON	OFF	OFF	OFF	MOMENTARY PRESSURE, CLOSE/OPEN
D1	OFF	ON	OFF	OFF	CONSTANT PRESSURE, OPEN/CLOSE
E2	ON	ON	OFF	OFF	CONSTANT PRESSURE CLOSE, W/ ROLL BACK
TS	OFF	OFF	ON	OFF	TIMER TO CLOSE
T	ON	OFF	ON	OFF	STOP OR SAFETY DEACTIVATES TIMER

**NOTE:** MONITORED SAFETY DEVICE REQUIRED FOR MOMENTARY PRESSURE TO CLOSE. EX MODELS REQUIRE SM102 + EDGE.

**NOTE:** WIRING MUST BE SUITABLE FOR HAZARDOUS LOCATIONS

Title: <b>EX-6501 DB2</b>		
Revision: 1   Voltage: 120/240 1Ø		
Drawn by: ML   Date: 5/15/2017		
USA		

V.E. Power Door  
140 Enjay Blvd.  
Brentwood  
NY, 11706

© Copyright PowerMaster 2017 No portion of this diagram may be reproduced without written permission of the manufacturer.